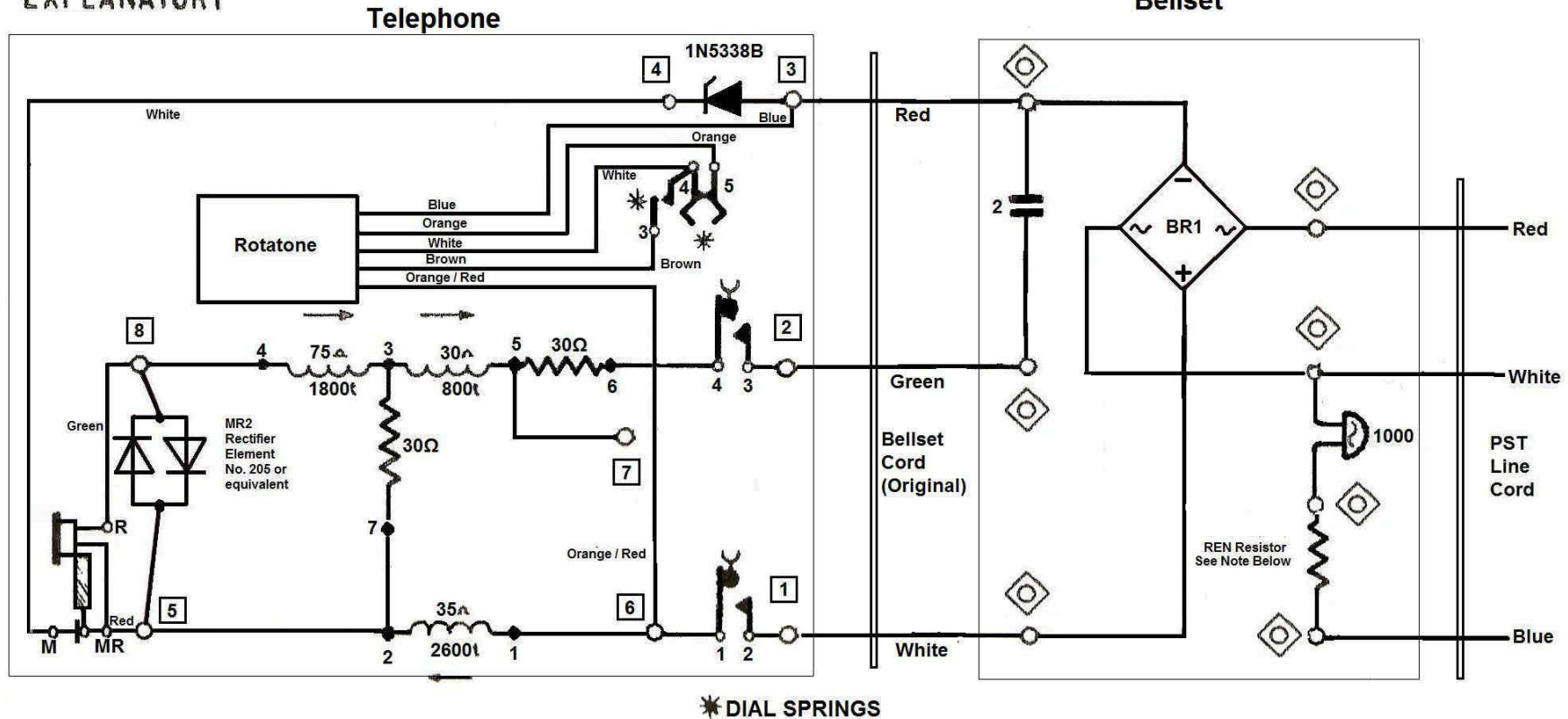


GPO Type 232 Telephone - modified

- 1 - Rotatone DTMF convertor module fitted for tone dialling and enhanced facilities
- 2 - PST line cord fitted for plug and socket working
- 3 - Rectifier element fitted to prevent acoustic shocks
- 4 - REN padder resistor fitted to reduce REN - see note below
- 5 - Polarity protection and Voltage drop stability to allow Rotatone to work properly

EXPLANATORY



Direction of windings indicated by arrow thus →

REN Resistor Ratings

- Link fitted - No Resistor = REN 4
- 3.3kΩ = REN 1
- 1kΩ = REN 2

TERMINAL POINTS

- Telephone Terminals - Check your phone as there are differences between 232 type 1 and type 2 phones around Terminals 6 & 8
- ◇ Bellset Block Terminals, Un-Numbered - You will need to establish your own Bellset's Termination Layout.